

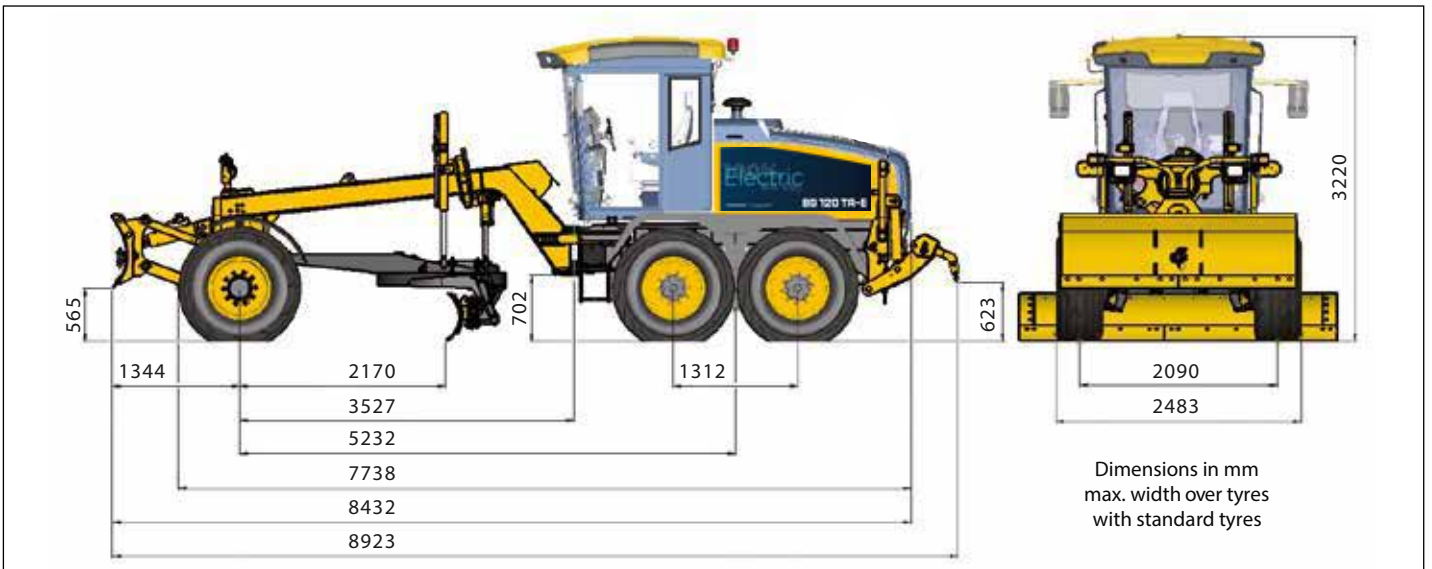


Motor Grader

100%
Electric
0% CO₂

BG 120 TA-E

Powered by  NULLUTSLIPP AS
zeroemission.no



E-motor Data

Engine make and type:
Siemens Electrical engine **110kW / 600Nm** (software limited)

Battery capacity: 325kWh/350V/925Ah
On-board charger: 40kW

Charging time:
2 hours @ CCS2 fast-charge 20-80%
7 hours @ CEE 400V / 63 A 10-100%
13 hours @ Type 2 400V / 32A 10-100%

Working time duration of grader :
Work and load dependable, approximum 8 hours.



Operating Weight

Total weight	approx. 15500 kg
On rear wheels	approx. 11500 kg
On front wheels	approx. 4000 kg

Weights shown include cab, all operating fluids, rear ripper (width 2120 mm), front dozer blade.



All Wheel Drive System (TA type)

Hydrodynamic rear axle drive with 6-speed Ergopower transmission and torque converter (make ZF 6 WG 115) with freely selectable microprocessor controlled hydrostatic front axle drive. Power train is controlled appropriate to tyre traction.



Rear Axle Drive System (T type)

Hydrodynamic rear axle drive with 6-speed Ergopower transmission (make ZF 6 WG 115) and torque converter.



Speeds

(all wheel drive and rear axle drive systems)

Forward	km/h
1.	5.0
2.	7.0
3.	12.0
4.	19.0
5.	28.0
6.	40.0
Reverse	
1.	6.0
2.	14.0
3.	32.0

Acoustic back-up alarm in reverse driving



Rear Axle

Oscillating tandem axle with axle insert.
No-Spin differential.
Multi-disc brakes in all four wheel hubs.
Parking brake at powershift transmission.



Tandems

Drive via roller chains.
Torsion-proof box sections.

Height	545 mm
Width	178 mm
Thickness of walls	20/20 mm
Wheel base	1312 mm
Oscillation	±15°
Ground clearance	350 mm



Wheels & Tyres

Tyre size	455/70 R24 radial
Rim size	13.00 x 24



Brakes

Service brake

Dual-circuit, power-boosted, multi-disc oil-bath type, effective on four wheels. Includes reserve power and operator warning system.

Parking brake

Independent electrically operated brake, acting on rear axle. Hydraulic spring accumulated single disc type.



Front Axle

2 types are available

Oscillation	15° up and down
Steering angle	45°
Wheel lean	±17°
Ground clearance	580 mm

Non driven with wheel lean (T type)

Stable welded steel beam with wheel lean.

Driven with wheel lean (TA type)

Stable welded steel beam with wheel lean.

Radial piston engines in wheel hubs.

Pulling power electronically adjustable (infinitely variable depending on surface conditions.).

Possibility to fit in the hydraulic differential lock.



Steering

Hydraulic power steering

Minimum turning radius without dozer blade 6350 mm

Minimum turning radius with dozer blade 7000 mm

Steering angle 45°



Frame

Front and rear frame sections are connected with an adjustment free articulation pin.

Front: Fully welded rear box section.

Minimum dimensions of box section 240 x 240 mm

Plate thickness 20/12 mm

Rear: Fully welded rear frame

Dimensions (solid main bars) 430 x 60 mm

Hydraulic articulated frame steering (left & right) 30°



Circle (closed version)

Hardened teeth, machine-cut on inside of circle for maximum strength and minimum wear. The circle is held positively in place by an adjustment free roller bearing.

Diameter 1348 mm

Tooth width 78 mm

Height 130 mm

Distance blade/front axle 2170 mm



Circle Drive

Hydraulically driven worm gear transmission. Circle drive system fully protected against impact damage by an overload clutch.

Rotation 360°



Drawbar

A-shaped fully welded construction.

Dimensions (solid sections) 30 x 170 mm



Moldboard (standard)

Moldboard (11 ft) 3355 x 505 x 15 mm (11' x 19,9" x 0,6")

Blade material High carbon steel

Blade pull (at a friction factor of 0.8) BG 120 T-6 78.8 kN

BG 120 TA-6 98.8 kN



Blade Range

Reach outside tyres without articulation (RH&LH), blade resting on levelled surface 2050 mm / 1200 mm

Reach outside tyres with articulation (RH&LH), blade resting on levelled surface 2530 mm / 1680 mm

Circle shift 1140 mm

Blade side shift 1000 mm

Blade tilt range 40°- 80°

Bank sloping angle (RH&LH) 90°

Lift above ground 495 mm

Cut below ground 365 mm

Distance blade/front axle 2420 mm

All blade movements and positions can be controlled from the operator's seat.



Capacities

E-motor transmission 8.0 litres

Hydraulic oil 170.0 litres

Ergopower transmission 32.0 litres

Axle drive rear 13.5 litres

Planetary gears and brakes 4 x 4.0 litres

Tandem case (2 x 18 litres) 36.0 litres

Circle drive 6.0 litres

Coolant 28.0 litres



Light Equipment

2 head lights at the front, every 2 indicator lights (including hazard warning lights) at the front and rear, 2 rear lights, 2 brake lights, 1 backup light plus every 2 working lights at the top and bottom at the front of the cab, 2 working lights at the top at the rear of the cab, and 2 tail lights on the sides.



Load-Sensing Hydraulics

The control valves of the working hydraulics may be actuated at a time and independent of each other. The load-sensing pump (axial piston pump) discharges only the required quantity of oil if a control valve is actuated. When hydraulic power is not required system pressure is only 24 bar and ensures low oil temperature und fuel saving.

Lock valves and brake valves prevent a cylinder drift under load.

Operating pressure 205 bar
max oil flow 132 l/min



Cabin (tiltable)

Integrated ROPS/FOPS cabin mounted on isolators to limit vibration and noise entering the cabin. Excellent all-round visibility. Roomy and comfortable. Adjustable steering pedestal with EURO control lever arrangement. Interior of cab fully lined, floor covering. Tinted safety glass windows.

Sliding doors and windows LH and RH.

Fresh air heating with pre-filter, air circulation, air conditioning (A/C). Adjustable, air-suspended driver's seat with safety belt. One inside mirror as well as two electrically operated adjustable and heatable outside rearview mirrors.

Wipers front and rear, with front window washer
Blinds front and rear.

Height / Width / Depth (cabin inside) 1620 / 1450 / 1480 mm



Optional Equipment

EP control panel (Joystick controls)

Lighting as LED design

Auxiliary heating

Automatic climate control (A/C)

Recording speedometer

Cooling box

Stereo radio various (CD player, Bluetooth, DAB+)

Protective grids for cabin and lights

Moldboard (10 ft) 3050 x 505 x 15 mm (10' x 19,9" x 0,6")

Moldboard (12 ft) 3660 x 505 x 15 mm (12' x 19,9" x 0,6")

Cover plate for upper guide rail of moldboard
Moldboard extension, left or right (1 ft) 305 mm

Adjustable moldboard corner shoes, left or right

Float position for both moldboard lift cylinders

Wheels and tyres

Tyre size 13.00-24 diagonal

Rim size 10.00 x 24

Tyre size 405/70 R24 radial

Rim size 13.00 x 24

Other tyres on request

Front dozer blade with position indicator

Width/Height 2490 x 780 mm

Cut below ground 150 mm

Lift above ground 565 mm

Weight 840 kg

Rear ripper with depth penetration indicator, 4 teeth (max. 7)

Width 2120 mm

Ripping depth 260 mm

Lift about ground 450 mm

Weight 610 kg

Counter weight (push-pull block), in front 556 kg

Mudguards on front wheels

Mudguards on rear wheels

Protective covers for transmission in different versions

Central lubricating unit

Biological Oil in hydraulic system

Articulation angle indicator

Fuel tank pump with automatic switch-off

Special paint

Beacon (orange)

Tool kit, wheel chocks, warning triangle, fire extinguisher, first aid kit

Automatic blade control

Various 2D / 3D / GPS systems

CE Certificate

Speed limitation at 20 km/h possible

